

explora

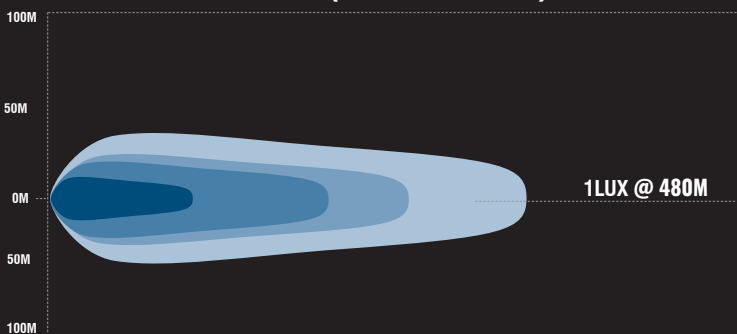
BY VISIONX



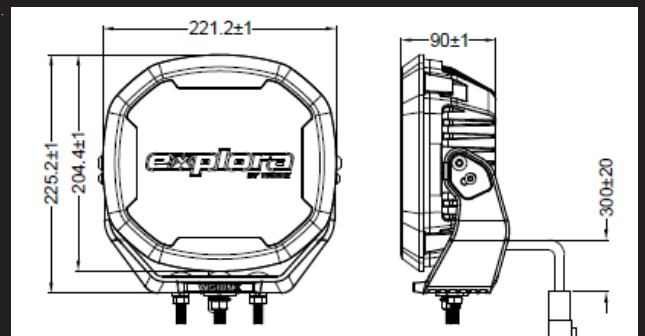
EXPLORA 9"

- Powerfull 200W
- Fully ECE Photometric and EMC compliant and E-marked accordingly.
- Polycarbonate smoke lens guard included
- Anti-corrosion light weight composite bracket
- BOOST-function
- Dual Position lights options, White or Amber
- 5-year warranty

BEAM PATTERN (Boost mode) single



DIMENSIONS



TECHINCAL DATA (single)

PARTNUMBER	LED LIGHT	BOOST LUMEN	WATT	BEAM	POSITIONS LIGHT	E-MARKED	REF
EX-DLE40S	EXPLORA 9"	13600	200W	Hybrid	White and Amber	Yes	12.5

E-approved: ECE R148, ECE R149 ,ECE R10



explora

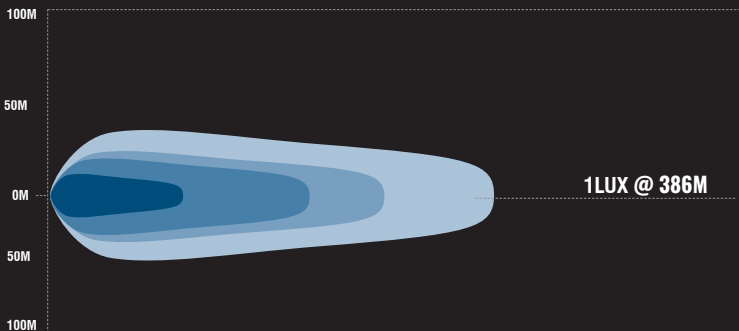
BY VISIONX



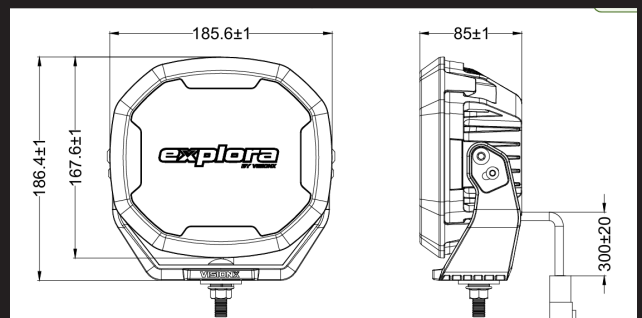
EXPLORA 7"

- Powerfull 120W
- Fully ECE Photometric and EMC compliant and E-marked accordingly.
- Polycarbonate smoke lens guard included
- Anti-corrosion light weight composite bracket
- BOOST-function
- Dual Position lights options, White or Amber
- 5-year warranty

BEAM PATTERN (Boost mode) single



DIMENSIONS



TECHINCAL DATA (single)

PARTNUMBER	LED LIGHT	BOOST LUMEN	WATT	BEAM	POSITIONS LIGHT	E-MARKED	REF
EX-DLXE24S	EXPLORA 7"	8160	120W	Hybrid	White and Amber	Yes	12.5

E-approved: ECE R148, ECE R149 ,ECE R10



explora

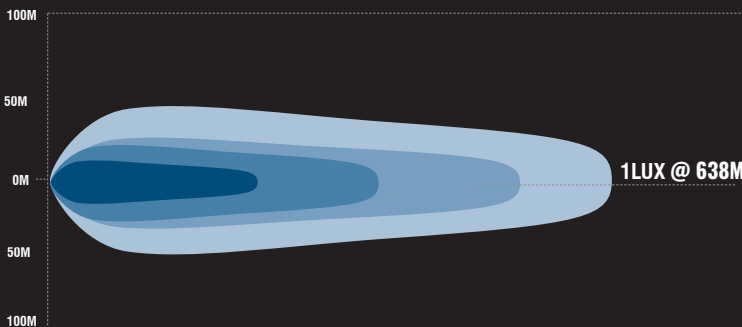
BY VISIONX



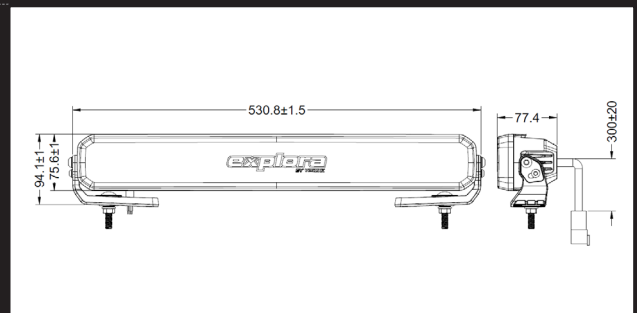
EXPLORA LED BAR DUAL 20"

- Powerfull 180W
- Fully ECE Photometric and EMC compliant and E-marked accordingly.
- Polycarbonate smoke lens guard included
- Anti-corrosion light weight composite bracket
- BOOST-function
- Dual Position lights options, White or Amber
- 5-year warranty

BEAM PATTERN (Boost mode)



DIMENSIONS



TECHINCAL DATA

PARTNUMBER	LED BAR	BOOST LUMEN	WATT	BEAM	POSITIONS LIGHT	E-MARKED	REF
EX-LB2.E18S.NH	EXPLORA DUAL 20"	12240	180W	Hybrid	White and Amber	Yes	17.5

E-approved: ECE R148, ECE R149, ECE R10



explora

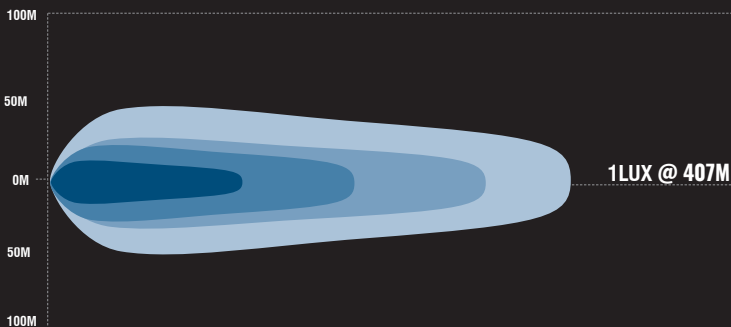
BY VISIONX



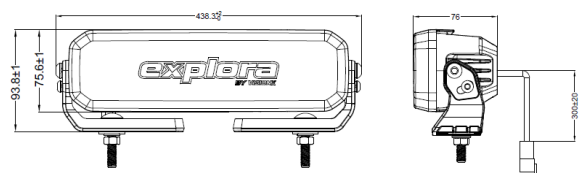
EXPLORA LED BAR DUAL 10"

- Powerfull 80W
- Fully ECE Photometric and EMC compliant and E-marked accordingly.
- Polycarbonate smoke lens guard included
- Anti-corrosion light weight composite bracket
- BOOST-function
- Dual Position lights options, White or Amber
- 5-year warranty

BEAM PATTERN (Boost mode)



DIMENSIONS



TECHINCAL DATA

PARTNUMBER	LED BAR	BOOST LUMEN	WATT	BEAM	POSITIONS LIGHT	E-MARKED	REF
EX-LB2.E8S.NH	EXPLORA DUAL 10"	5400	80W	Hybrid	White and Amber	Yes	12.5

E-approved: ECE R148, ECE R149 ,ECE R10



explora

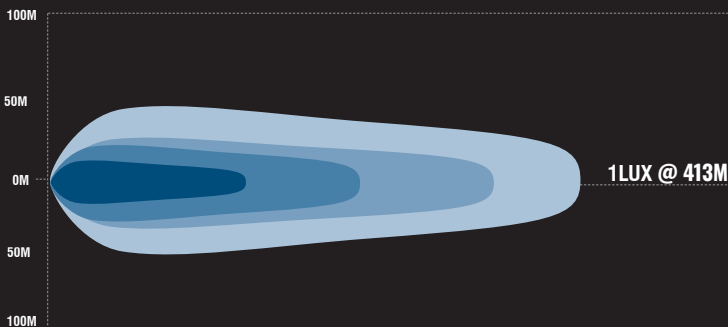
BY VISIONX



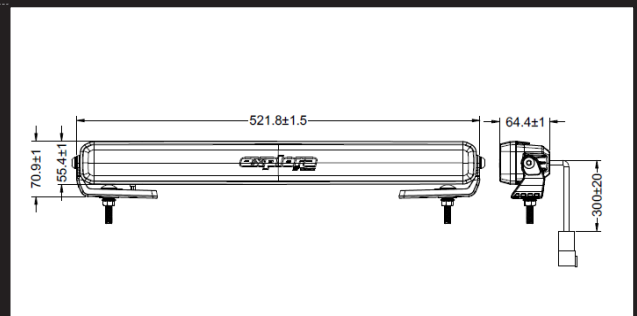
EXPLORA LED BAR 20"

- Powerfull 90W
- Fully ECE Photometric and EMC compliant and E-marked accordingly.
- Polycarbonate smoke lens guard included
- Anti-corrosion light weight composite bracket
- BOOST-function
- Dual Position lights options, White or Amber
- 5-year warranty

BEAM PATTERN (Boost mode)



DIMENSIONS



TECHINCAL DATA

PARTNUMBER	LED BAR	BOOST LUMEN	WATT	BEAM	POSITIONS LIGHT	E-MARKED	REF
EX-LBE18S.NH	EXPLORA 20"	6120	90W	Hybrid	White and Amber	Yes	17.5

E-approved: ECE R148, ECE R149, ECE R10



explora

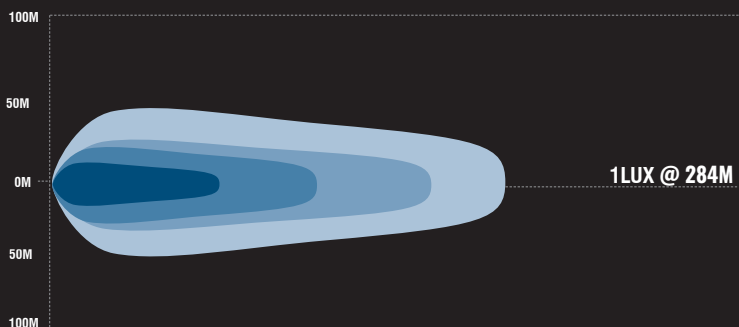
BY VISIONX



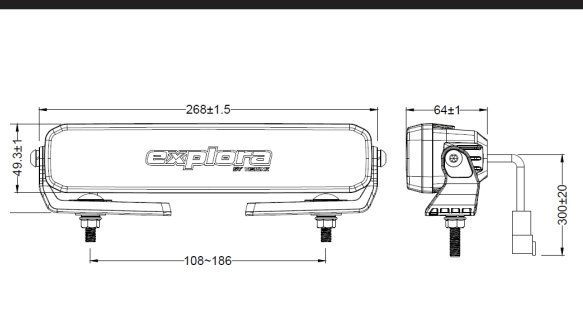
EXPLORA LED BAR 10"

Powerfull 90W
 Fully ECE Photometric and EMC compliant and E-marked accordingly.
 Polycarbonate smoke lens guard included
 Anti-corrosion light weight composite bracket
 BOOST-function
 Dual Position lights options, White or Amber
 5-year warranty

BEAM PATTERN (Boost mode)



DIMENSIONS



TECHINCAL DATA (single)

PARTNUMBER	LED BAR	BOOST LUMEN	WATT	BEAM	POSITIONS LIGHT	E-MARKED	REF
EX-LBE8S.NH	EXPLORA 10"	2700	40W	Hybrid	White and Amber	Yes	12.5

E-approved: ECE R148, ECE R149 ,ECE R10



explora

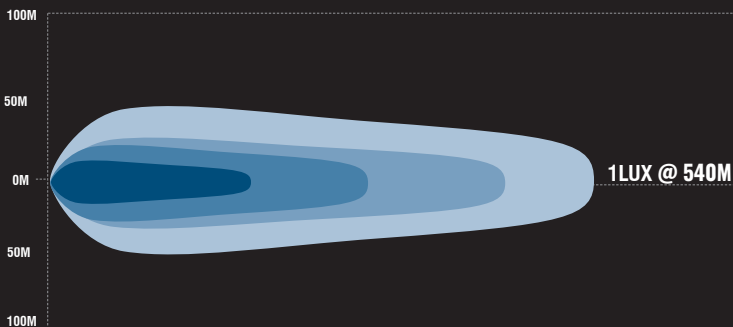
BY VISIONX



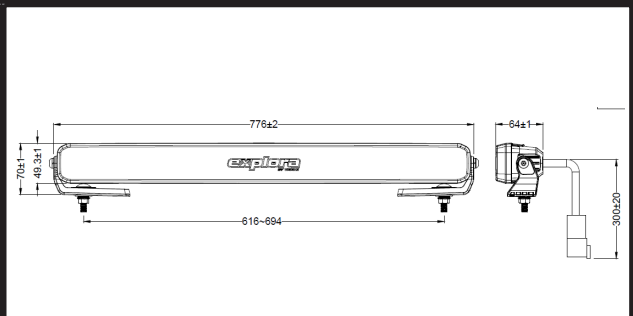
EXPLORA LED BAR 30"

- Powerfull 140W
- Fully ECE Photometric and EMC compliant and E-marked accordingly.
- Polycarbonate smoke lens guard included
- Anti-corrosion light weight composite bracket
- BOOST-function
- Dual Position lights options, White or Amber
- 5-year warranty

BEAM PATTERN (Boost mode)



DIMENSIONS



TECHINCAL DATA

PARTNUMBER	LED BAR	BOOST LUMEN	WATT	BEAM	POSITIONS LIGHT	E-MARKED	REF
EX-LBE28S.NH	EXPLORA 30"	9500	140W	Hybrid	White and Amber	Yes	40

E-approved: ECE R148, ECE R149, ECE R10

